

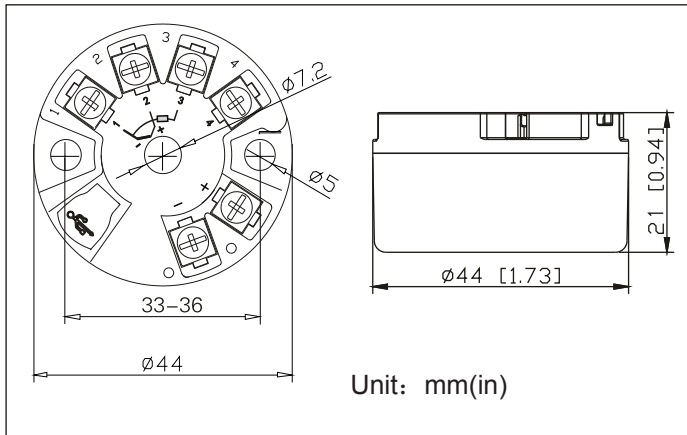
Intelligent Temperature Transmitter (Round Card)

Operating Manual

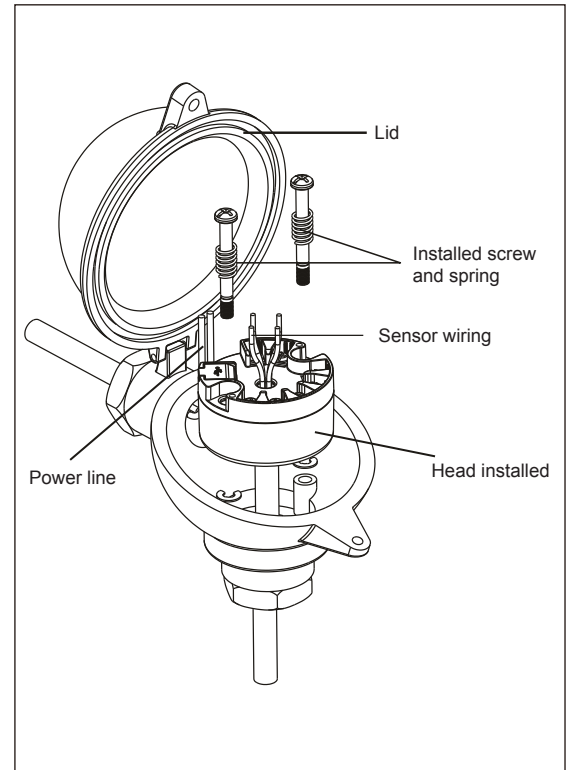
Product Introduction

Intelligent temperature transmitter (round card) is used for the signal input of resistance temperature detector (RTD) and thermocouple (TC), and 4 - 20mA analog output of the two-wire system. It is installed inside the sensor (Form B).

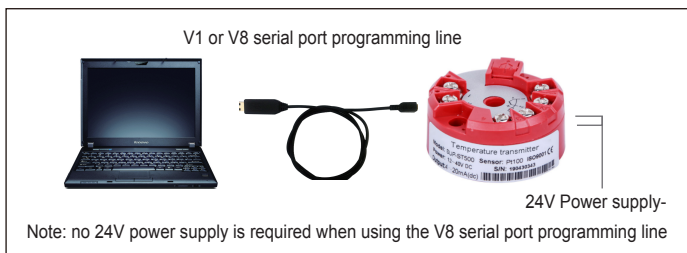
1. Appearance Structure Diagram



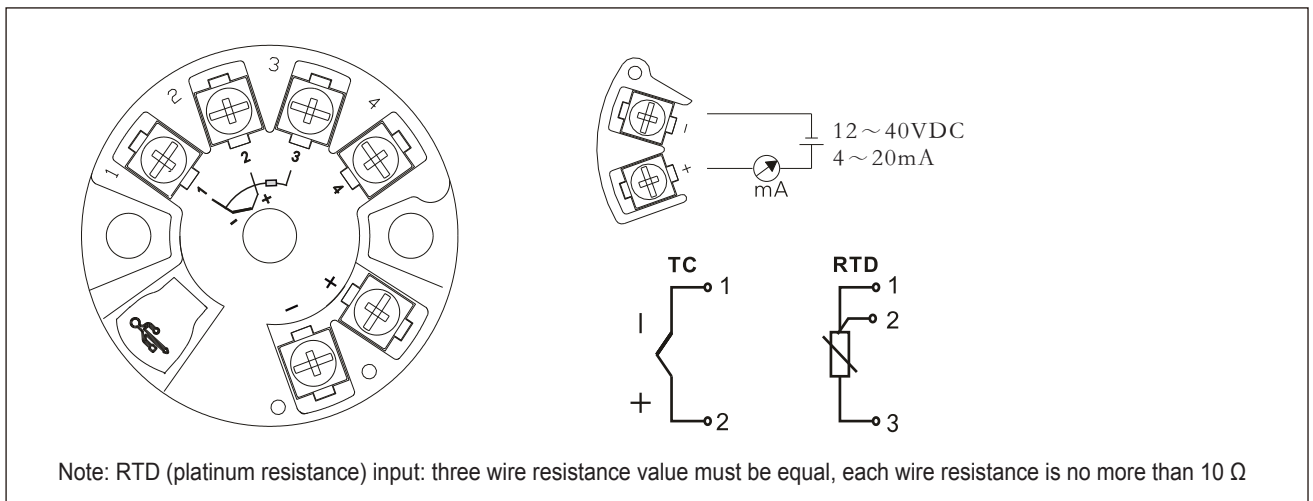
2. Installation Schematic Diagram



3. Configuration Schematic Diagram



4. Wiring Diagram



5. Technical Parameters

Input	
Input signal	Resistance temperature detector (RTD), thermocouple (TC), and linear resistance.
Cold-junction compensation temperature scope	-20~60℃
Compensation precision	±1℃
Output	
Output signal	4-20mA
Load resistance	$RL \leq (U_e - 12)/0.021$
Output current of upper and lower limit overflow alarm	I _H =21mA、I _L =3.8mA
Output current of input disconnection alarm	21mA
Power supply	
Supply voltage	DC12-40V
Other parameters	
Transmission precision (20℃)	0.1%FS
Temperature drift	0.01%FS/℃
Response time	Reach to 90% of the final value for 1s
Used environmental temperature	-40~80℃
Storage temperature	-40~100℃
Condensation	Allowable
Protection level	IP00; IP66 (installation)
Aseismicity	4g/2~150Hz
Installation angle	Unlimited
Installation area	B-type top cassette installation
Electromagnetic compatibility	Conform to GB/T18268 industrial equipment application requirements (IEC 61326-1)

Input Type Table:

Model	Type	Measurement scope	Minimum measurement scope
Resistance temperature detector (RTD)	Pt100	-200~850℃	10℃
	Cu50	-50~150℃	10℃
Thermocouple (TC)	B	400~1820℃	500℃
	E	-100~1000℃	50℃
	J	-100~1200℃	50℃
	K	-180~1372℃	50℃
	N	-180~1300℃	50℃
	R	-50~1760℃	500℃
	S	-50~1760℃	500℃
	T	-200~400℃	50℃
	Wre3-25	0~2315℃	500℃
	Wre5-26	0~2310℃	500℃