



Recorder



Flow



Pressure



Temp



Analyzer



Level

Datasheet

Pressure Transmitter

SUP-P400

Supmea[®]

Committed to process automation solutions

Tel: 86-15158063876

E-mail: info@supmea.com

www.supmea.com

Datasheet**Pressure Transmitter
SUP-P400**

SUP-P400 Series pressure transmitter is kind of device based on pressure layer, which inside expert integrate circuit can transform sensor milli-volt signal to standard far distance transmission current signal, and it can be directly joined with computer joint clip, control instrument , aptitude instrument or PLC etc. conveniently.

Applications

- Industrial process control
- Petroleum industry
- Chemical industry
- Paper industry
- Metallurgy

Features

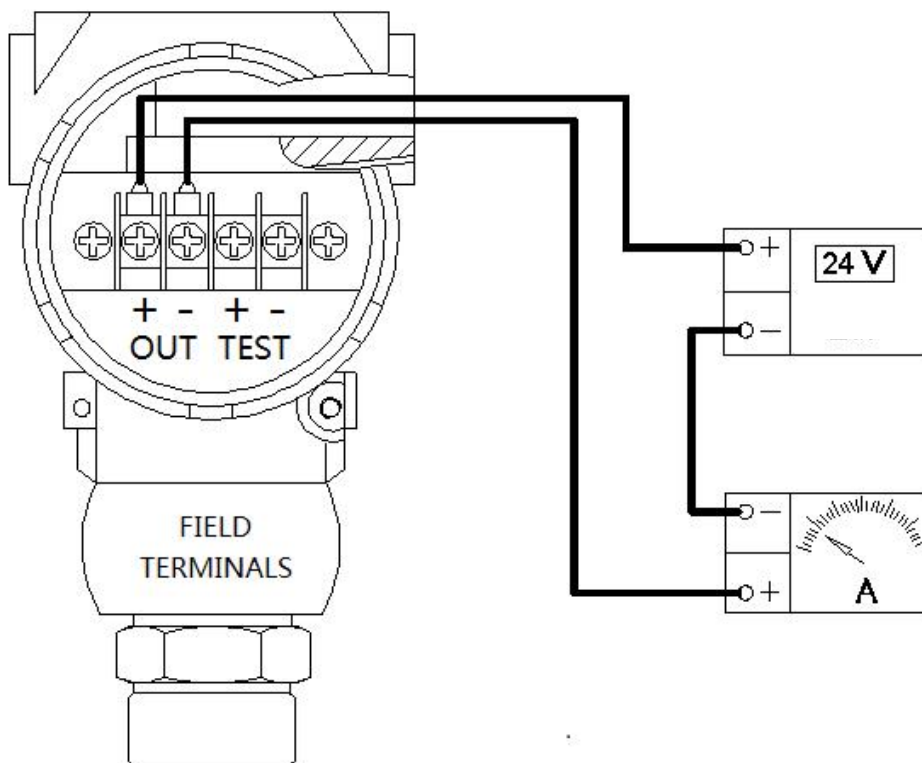
- The physical volume small, the weight is light.
- Work in the causticity environment.
- Ingress protection up to IP65.
- The whole stainless steel seals completely the structure, have the very high anti- to flap to pound at the function with anti.

**Pressure Transmitter**

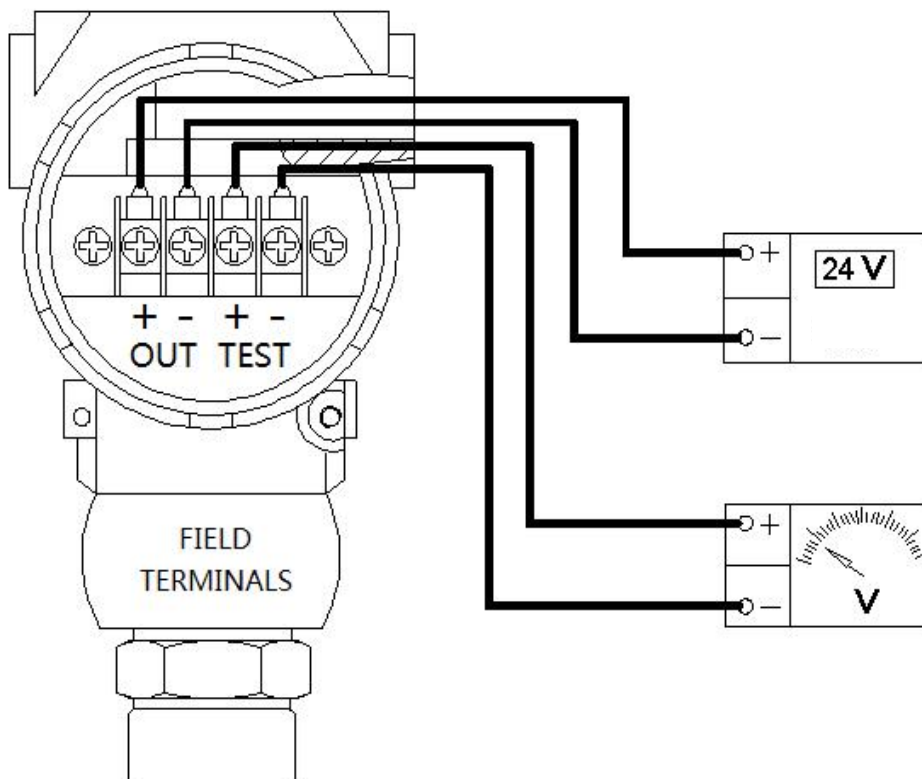
Parameters	
Power Supply	12V~32V ((4~20) mA , with display)
	10V~32V ((4~20) mA+RS485, with display)
Output	9V~32V ((4~20) mA, without display)
	(4~20)mA;(1~5)V;(0~10)V;(0~5)V;RS485
Accuracy	0.2%、0.25%、0.5%
Measurement range	-0.1...0...60Mpa
Pressure type	Gauge pressure, adiabatic pressure and sealed pressure
Compensation temperature	-10℃~70℃
Working temperature	-20℃~85℃
Medium temperature	-20℃~85℃
Storage temperature	-40℃~85℃
Zero-point temperature drift	±0.3%FS/10℃
Sensitivity temperature drift	±0.3%FS/10℃
Overload pressure	(0.035~10)MPa (150%FS) ; (10~60)MPa (125%FS)
Long-term stability	±0.2%FS/year
Response time	RS485 output≤100ms (up to 90%FS)
	Current and Voltage output≤10ms (up to 90%FS)
Insulation	20MΩ/250VDC
Ingress protection	IP65
Load Resistance	(U-9V)/0.02A

Wiring

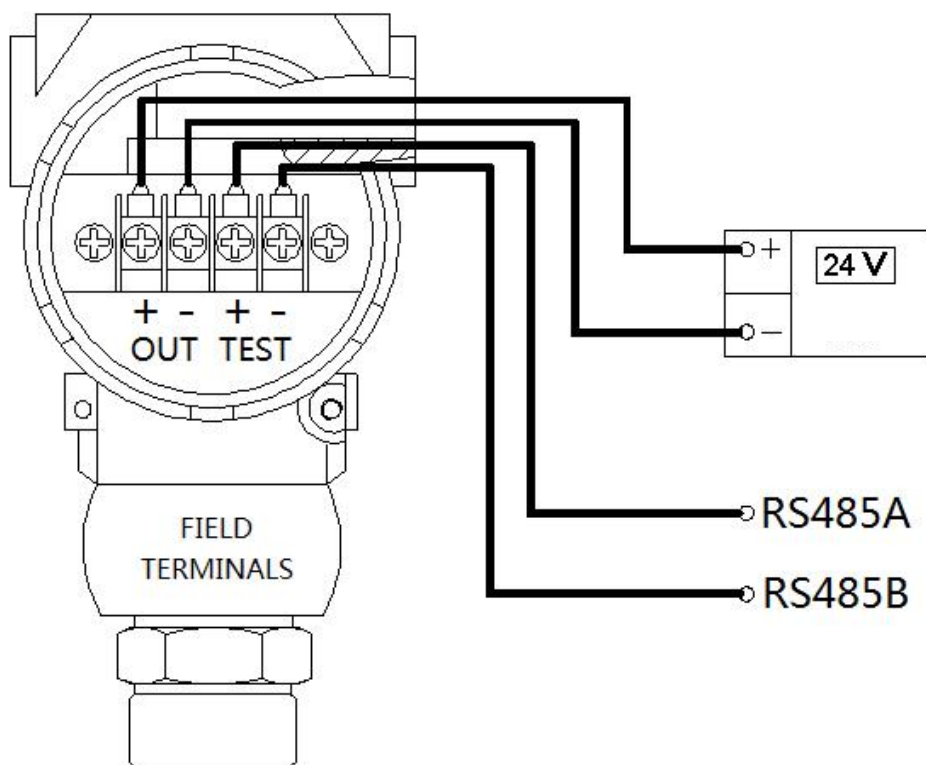
■ Current output



■ Voltage output

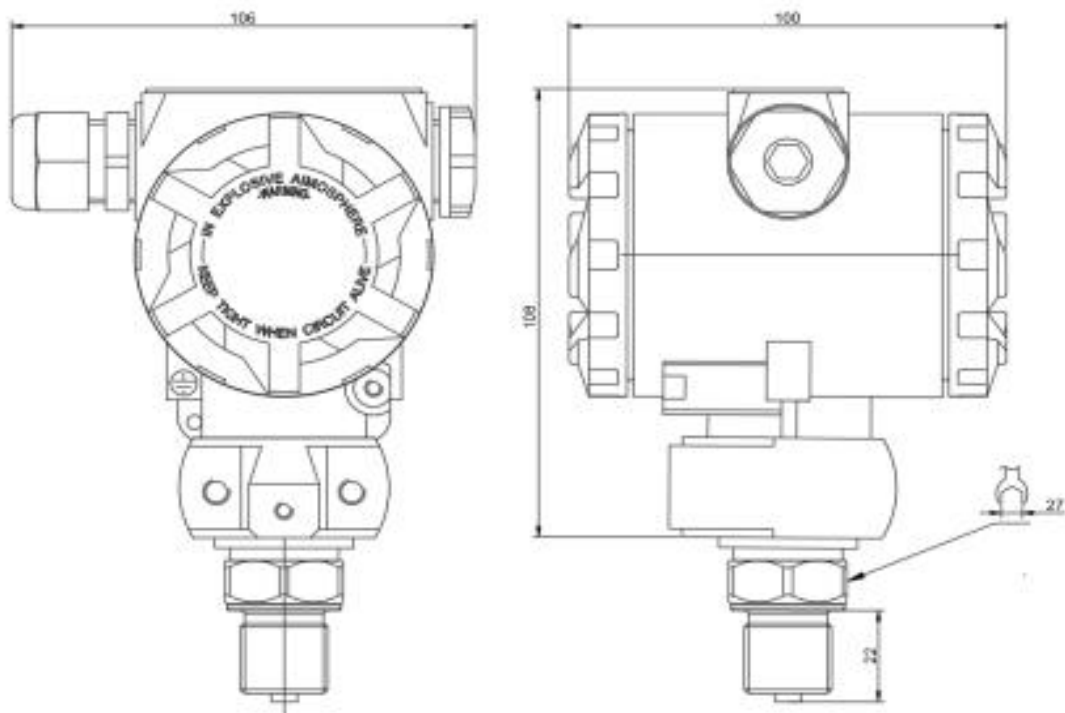


■ RS485 output

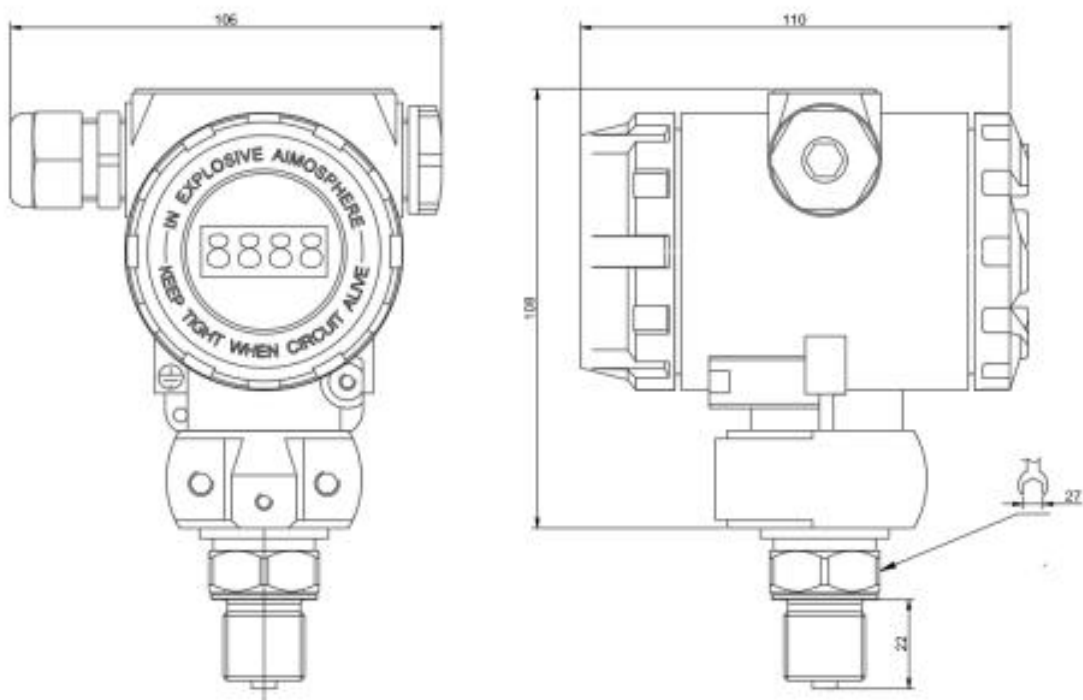


Dimension

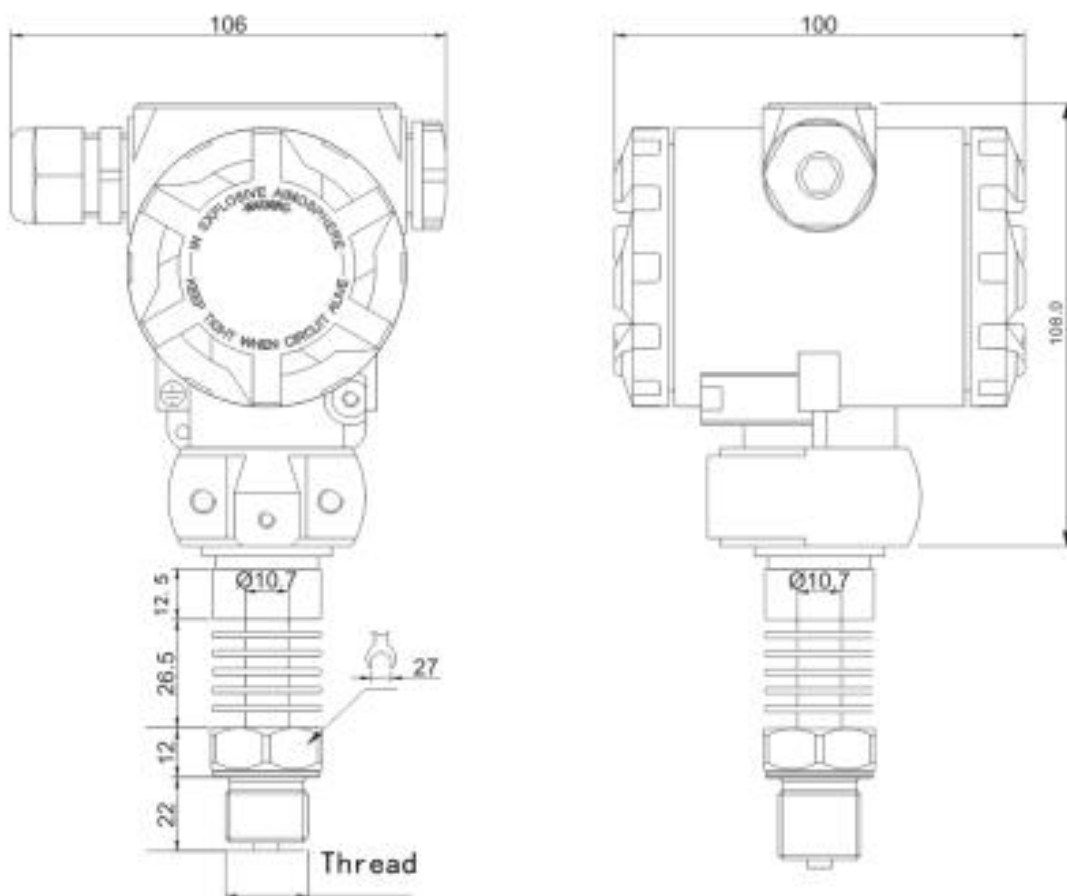
■ P400 without display



■ P400 with display



■ P400G



Ordering code

SUP-P400-G-1A-F-A1-L2-A-W1												Description	
SUP-P400	-	-	-	-	-	-	-	-	-	-	-	-	
Pressure Type	G												Gauge pressure
	A												Adiabatic pressure (0-30kPa to 1MPa only)
Measuring range	1A												-100-0kPa
	1B												-100-100kPa
	1C												-100-1000kPa
	1L												0-10kPa
	1M												0-20kPa
	1N												0-30kPa
	1Q												0-50kPa
	1S												0-100kPa
	2A												0-0.6MPa
	2B												0-1MPa
	2C												0-1.6MPa
	2D												0-2.5MPa
	2E												0-4MPa
	2H												0-10MPa
	2K												0-20MPa
	2L												0-25MPa
	2M												0-30MPa
	2N												0-40MPa
2P												0-60MPa	
XX													Other
Accuracy		K											0.5 Class
		G											0.25 Class <100kPa not selectable
		F											0.2 Class <100kPa not selectable
Output and Power Supply			A1										Two-Wire 4-20mA
			A2										1-5V,24VDC
			A3										0-10V,24VDC
			A4										0-5V,24VDC
			XX										Other
Thread Type				L2									M20×1.5
				G2									G1/2
				G1									G1/4
				N									NPT1/4

	C					NPT1/2
	L3					M27×2
	L1					M14×1.5
	XX					Other
Diaphragm and Thread Type Material	A					SS316L,304SS
	B					SS316L,SS316L
	X					Other
Electrical Interface, Housing Material, and Ingress Protection		W1				M20×1.5 Cable Gland,Aluminum Alloy, IP65
Additional Features (Optional)						
Accessories			PA			Carbon Steel Thread Base
			PB			304SS Thread Base
			PD			304SS Condensation Bend (Only M20×1.5 and G1/2)