

## Supmea SUP-PH4.0

## Supmea SUP-PH6.0

The SPE-PH200 is a true multivariable analyzer used for measuring/controlling the pH with temperature and ORP. The function is switchable on the device itself. Depending on the measured variable, combination electrodes (e. g. pH sensors) or split versions (glass electrodes with a separate reference electrode) can be readily connected.

Truly unique is the SPE-PH200 in the Human Machine Interface. The high resolution digital display and LCD screen make the measurements are clearly legible and the keyboard operation make it easier for the user to configure the device. The instructions on screen assure that the best configuration for the application is obtained

Universal application in water and waste water engineering, service/process water and drinking water and well/surface water, leakage monitoring in refrigeration plant



SUP-PH4.0

## Features

- Easy operation
- NEMA enclosure for field mounting and panel mounting
- Automatically Temperature Compensation
- Directly switchable to PH or ORP
- Large LC D display with background lighting
- PH or ORP sensors can be connected thanks to the sensor supply integrated in the output
- Using the setup program: user-friendly programming
- 4-20mA analog output
- RS485 communication

### Supmea Automation Co.,Ltd

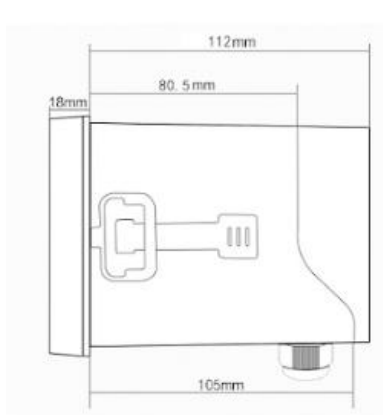
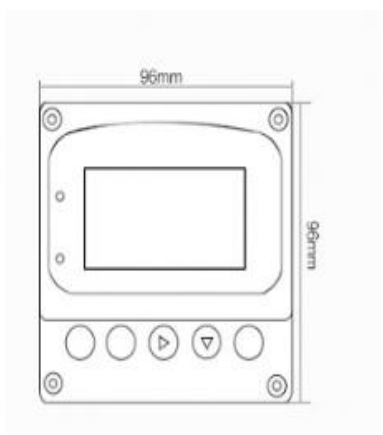
3<sup>rd</sup> floor, No. 6 Street, Xiasha Developmental Zone, Hangzhou, China

Email: [info@supmea.com](mailto:info@supmea.com)

Tel: 0086-15158063876

## General Specifications of SUP-PH4.0

- (A) **Measure Range:** PH(0-14) ; ORP(-1000~+1000Mv)
- (B) **Resolution:** PH: 0.01 ORP: 1Mv
- (C) **Stability:** PH:  $\leq 0.02\text{PH}/24\text{H}$ ; ORP:  $\leq 3\text{Mv}/24\text{H}$
- (D) **Accuracy:** PH:  $\pm 0.02\text{PH}$ ; ORP:  $\pm 1\text{Mv}$
- (E) **Input impedance:**  $\geq 10^{12}$
- (F) **Temperature compensation:** NTC 10K 0-100°C
- (G) **Communication:** RS485, MODBUS-RTU
- (H) **Power Supply:** AC220V  $\pm 10\%$ , 50Hz or DC 24V
- (I) **Relay output:** AC250V, 3A
- (J) **Cable Length:** 5M, 10M, 15M
- (K) **Transmission signals:** 4-20 mA
- (L) **Process alarm:** High/Low process alarms, selected from pH, ORP
- (M) **Panel Front Size (mm) :** 96(W) x 96(H) x Approx.112 (D)
- (N) **Panel Cutout Size (mm):** 92(W) x 92(H) x Approx.112 (D)
- (O) **Converter weight :** Approx. 1 kg
- (P) **Display:** LCD with back lights in English
- (Q) **Calibration:** Semi-automatic 3 points calibration using pre-configured buffer tables 4, 7& 10, or 4, 6.18& 9.18
- (R) **Color:** Black
- (S) **Ambient temperature :** -20 to +55°C (-5 - 130 °F).
- (T) **Storage temperature :** -30 to +70°C (-20 - 160 °F).
- (U) **Humidity :** 10 to 90% RH at 40°C (100 °F)



## General Specifications of SUP-PH6.0

- (V) **Measure Range:** PH(0-14) ; ORP(-1000~+1000Mv)
- (W) **Resolution:** PH: 0.01 ORP: 1Mv
- (X) **Stability:** PH:  $\leq 0.02\text{PH}/24\text{H}$ ; ORP:  $\leq 3\text{Mv}/24\text{H}$
- (Y) **Accuracy:** PH:  $\pm 0.02\text{PH}$ ; ORP:  $\pm 1\text{Mv}$
- (Z) **Input impedance:**  $\geq 10^{12}$
- (AA) **Temperature compensation:** NTC 10K  
or PT1000 -10-130°C
- (AB) **Communication:** RS485, MODBUS-RTU
- (AC) **Power Supply:** AC220V  $\pm 10\%$ , 50Hz or DC 24V
- (AD) **Relay output:** AC250V, 3A
- (AE) **Cable Length:** 5M, 10M, 15M
- (AF) **Transmission signals:** 4-20 mA
- (AG) **Process alarm:** High/Low process alarms, selected from pH, ORP
- (AH) **Panel Front Size (mm) :** 100(W) x 100(H) x Approx.150 (D)
- (AI) **Panel Cutout Size (mm):** 92(W) x 92(H) x Approx.150(D)
- (AJ) **Converter weight :** Approx. 1 kg
- (AK) **Display:** LCD with back lights in English
- (AL) **Calibration:** Semi-automatic 3 points calibration using pre-configured buffer tables 4, 7& 10, or 4, 6.86& 9.18
- (AM) **Color:** Black
- (AN) **Ambient temperature :** -20 to +55°C (-5 - 130 °F).
- (AO) **Storage temperature :** -30 to +70°C (-20 - 160 °F).
- (AP) **Humidity :** 10 to 90% RH at 40°C (100 °F)



# Datasheet

# Model SUP-PH4.0/PH6.0

PH and ORP controller

# Supmea

The device is designed for use on site. A rugged housing protects the electronics and the electrical connections from corrosive environmental conditions . As an alternative, the device can also be installed in a control panel.



- 1, Temperature
- 2, Temperature output
- 3, High alarm
- 4, Low alarm
- 5, Measured value
- 6, Menu
- 7, Exist
- 8, Choose
- 9, Enter

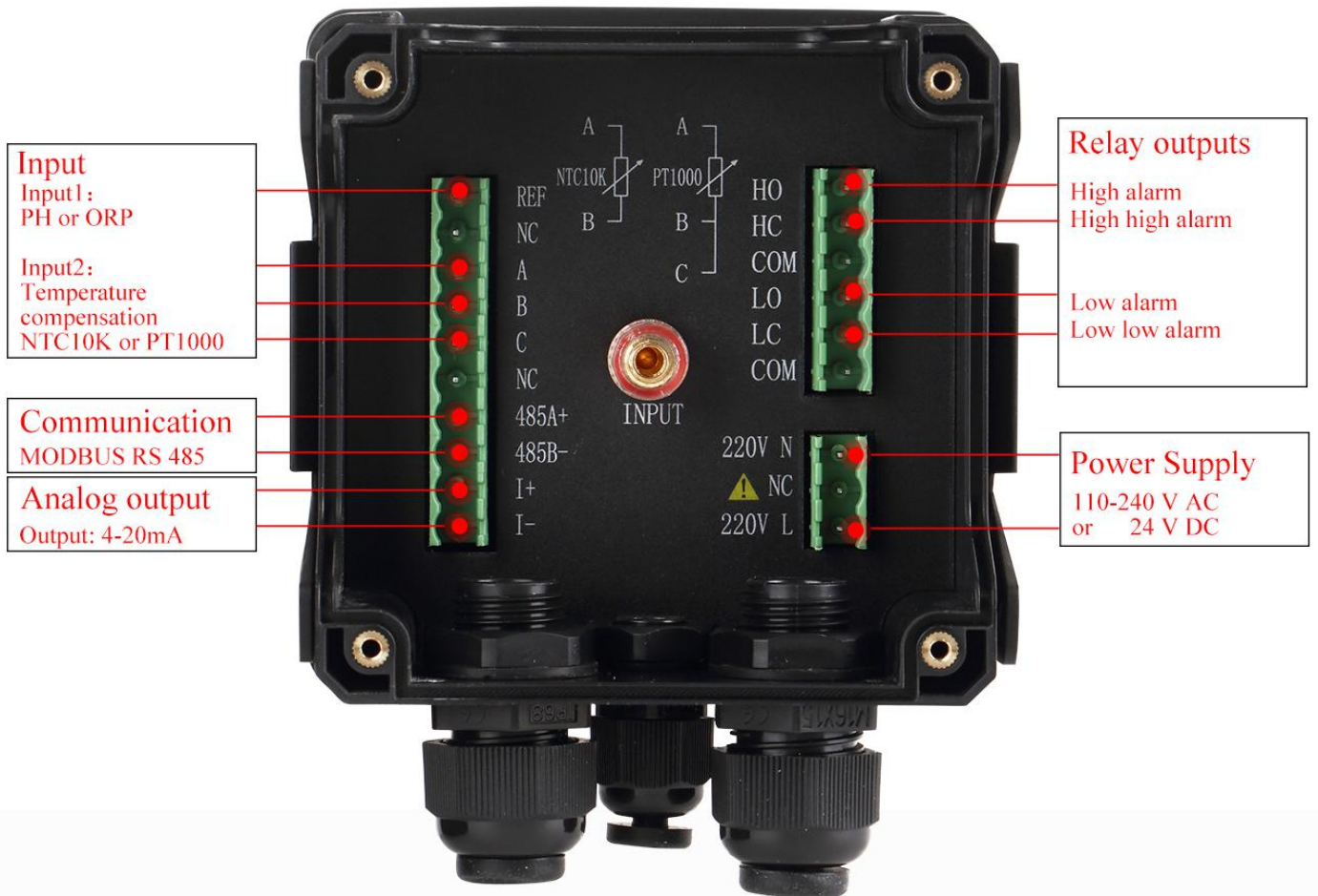
**Supmea Automation Co.,Ltd**

3<sup>rd</sup> floor, No. 6 Street, Xiasha Developmental Zone,  
Hangzhou, China

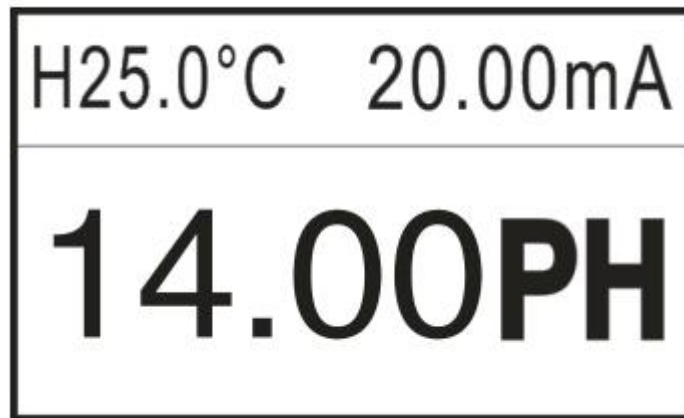
Email: [info@supmea.com](mailto:info@supmea.com)

Tel: 0086-15158063876

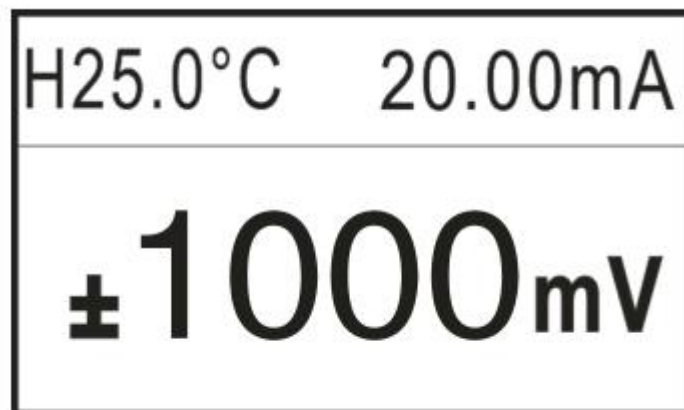
**Function diagram**



**pH monitor:**



**ORP monitor:**



**How to select the probe**

Plastic pH probe

- Technical parameters



# Datasheet

# Model SUP-PH4.0/PH6.0

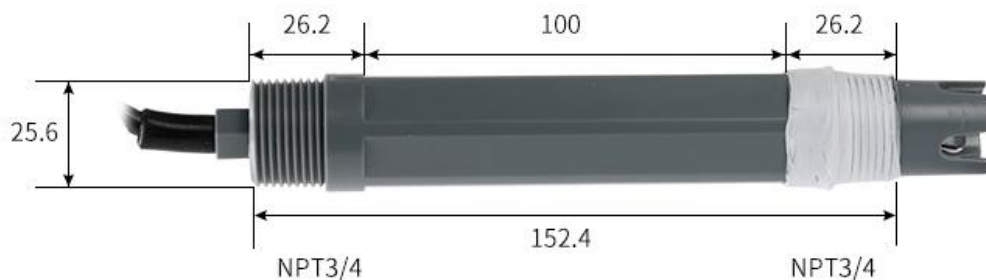
PH and ORP controller

# Supmea

Measure Range: 0-14pH  
Temperature Range: 0-60°C  
Material: PS  
Cable length: 5m/10m/15m  
Tread Type: 3/4NPT

- Not recommended:  
≥60°C  
Strong acid and alkaline  
Biotechnology, sterilization process

- Recommended Application  
Drinking water monitoring and treatment  
Swimming pools  
Aquariums( also marine aquariums)  
Lightly polluted service water  
Process water and wastewater  
Rainwater,pond water and surface water



## Glass pH probe

- Technical parameters  
Measure Range: 0-14pH  
Temperature Range:0-80°C  
Tread type: PG13.5  
Material: Glass

- Not recommended:



≥80℃

Strong acid and alkaline

Biotechnology, sterilization process

- Recommended Application

Drinking water monitoring and treatment

Swimming pools

Aquariums( also marine aquariums)

Lightly polluted service water

Process water and wastewater

Rainwater,pond water and surface water



## High Temperature Glass pH probe

- Technical parameters

Measure Range: 0-14pH

Temperature Range:0-130°C

Tread type: PG13.5

Material: Glass

- Not recommended:

≥130°C

Strong acid and alkaline

Biotechnology, sterilization process

- Recommended Application

Drinking water monitoring and treatment

Swimming pools

Aquariums( also marine aquariums)

Lightly polluted service water

Process water and wastewater

Rainwater,pond water and surface water



## Made In Germany pH probe

- Technical parameters:

Measure Range: 0-12pH

Temperature Range: 0-80°C



**Supmea Automation**

3<sup>rd</sup> floor, No. 6 Street, Xias... mental Zone,  
Hangzhou, China

Email: [info@supmea.com](mailto:info@supmea.com)

Tel: 0086-15158063876

# Datasheet

# Model SUP-PH4.0/PH6.0

PH and ORP controller

# Supmea

Pressure: 10Bar

Tread type: PG13.5

Material: PPS/PC/PTFE

- Not recommended:

$\geq 80^{\circ}\text{C}$

Strong acid and alkaline

Biotechnology, sterilization process

- Application:

For industrial and communal water and wastewater engineering

For measurements in suspensions and varnishes

For measurements in low-ion media

For high-alkaline, high-temperature and sterilization processes

For media containing fluorides and low-temperature applications

PRO version for the toughest operating condition



**Supmea Automation Co.,Ltd**

3<sup>rd</sup> floor, No. 6 Street, Xiasha Developmental Zone,  
Hangzhou, China

Email: [info@supmea.com](mailto:info@supmea.com)

Tel: 0086-15158063876

## Plastic ORP probe

- Technical parameters

Measure Range: -1000~+1000Mv

Temperature Range: 0-60°C

Material: PS

Cable length: 5m/10m/15m

Tread Type: 3/4NPT

- Not recommended:

≥60°C

Strong acid and alkaline

Biotechnology, sterilization process

- Recommended Application

Drinking water monitoring and treatment

Swimming pools

Aquariums( also marine aquariums)

Lightly polluted service water

Process water and wastewater

Rainwater,pond water and surface water



## Glass ORP probe

- Technical parameters

Measure Range: -1000~+1000Mv



# Datasheet

# Model SUP-PH4.0/PH6.0

PH and ORP controller

# Supmea

Temperature Range:0-80℃

Tread type: PG13.5

Material: Glass

- Not recommended:

≥80℃

Strong acid and alkaline

Biotechnology, sterilization process

- Recommended Application

Drinking water monitoring and treatment

Swimming pools

Aquariums( also marine aquariums)

Lightly polluted service water

Process water and wastewater

Rainwater,pond water and surface water



**Supmea Automation Co.,Ltd**

3<sup>rd</sup> floor, No. 6 Street, Xiasha Developmental Zone,  
Hangzhou, China

Email: [info@supmea.com](mailto:info@supmea.com)

Tel: 0086-15158063876



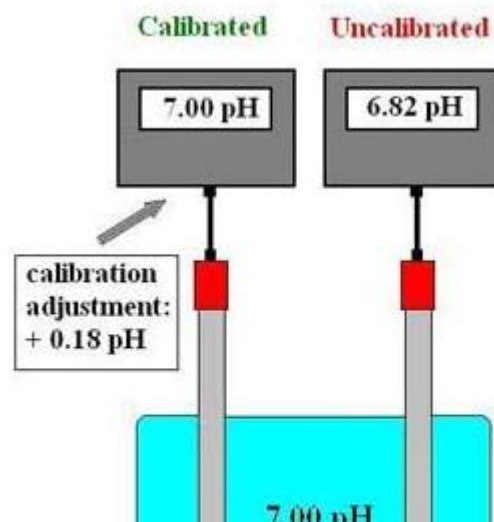
## pH Calibration

A pH calibration is the procedure of adjusting the pH meter by measuring solutions of known pH values.

### Why you need to calibrate:

The characteristic of a pH electrode will change with time due to electrode coating and aging. And even a pH electrode would be stable over time, pH electrodes cannot be produced with identical characteristics.

In practice the response of a real pH sensor does not exactly follow the Nernst equation. This difference between the theoretical and actual behavior of a pH electrode must be compensated for. A calibration is

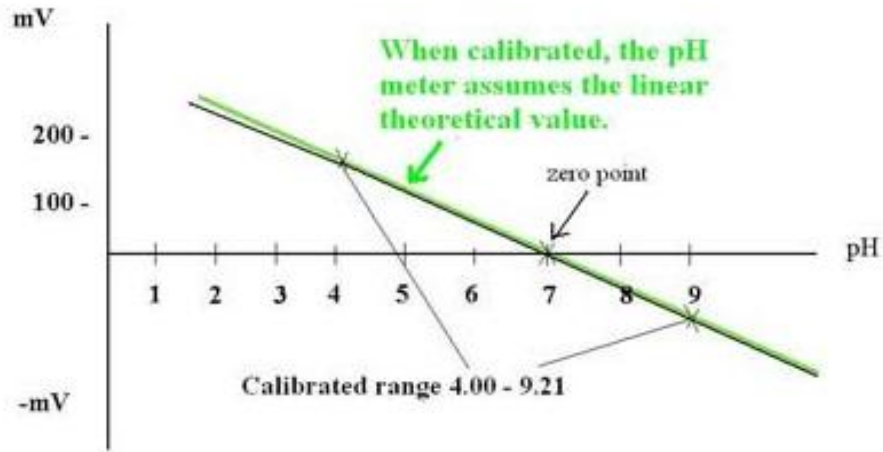


## **Multi-point calibration:**

To achieve the best possible accuracy, the calibration should cover the range of the desired measurement values. If the readings go beyond the calibrated range, the pH meter assumes linearity and simply extrapolates the value to be displayed. The true value may be slightly different.

More advanced pH meters will let the user calibrate at three, four or five and even higher numbers of pH values. A multi-point calibration mean, in comparison to a two-point calibration, that you can calibrate your pH tester on both sides of the zero point (pH 7.00). This will expand your pH measurement range without the need of recalibrating.

Example) Three-point calibration at pH 4.00 , 7.0 and 9.21.



Ordering Code

Basic Type

A:SUP-PH4.0B:SUP-PH6.0

pH Probe

- C: Plastic pH sensor with NTC 10K (0-60°C)
- D: Glass pH sensor with NTC 10K (0-80°C)
- E:High Tmeperature pH sensor with NTC 10K (0-130°C)
- F: Made in Germany pH sensor (0-80°C)
- G:Made in Germany pH sensor with PT1000 (0-80°C)
- H: Plastic ORP sensor with NTC 10K (0-60°C)
- I: Glass ORP sensor with NTC 10K (0-80°C)

Cable Length

- J: 5 meters
- K: 10 meters
- J: 15 meters

Calibration Points

- L: pH4, 7, 10
- M:pH 4, 6.86.9.18

Power Supply

- N: 220VAC
- O: 24VDC

Medium

- P: Normal water
- Q: Waste water
- R: Nutrient solution
- S: Galvanic plating
- T: Cooling water
- U: Drinking water
- V: Others:

Note: 4-20mA, RS485 and relay output are standard functions

Make inquiries by placing letter in the pertinent boxes

Order code:

Order example: A C J L N P