

## Supmea SPE-EC100

The SPE-EC100 is a true multivariable analyzer used for measuring/controlling the conductivity with temperature or TDS. The function is switchable on the device itself. Depending on the measured variable, conductivity electrodes (e. g. EC sensors) can be readily connected.

Truly unique is the SPE-EC100 in the Human Machine Interface. The high resolution digital display and LCD screen make the measurements are clearly legible and the keyboard operation make it easier for the user to configure the device. The instructions on screen assure that the best configuration for the application is obtained

Universal application in water and waste water engineering, service/process water and drinking water and well/surface water, leakage monitoring in refrigeration plant

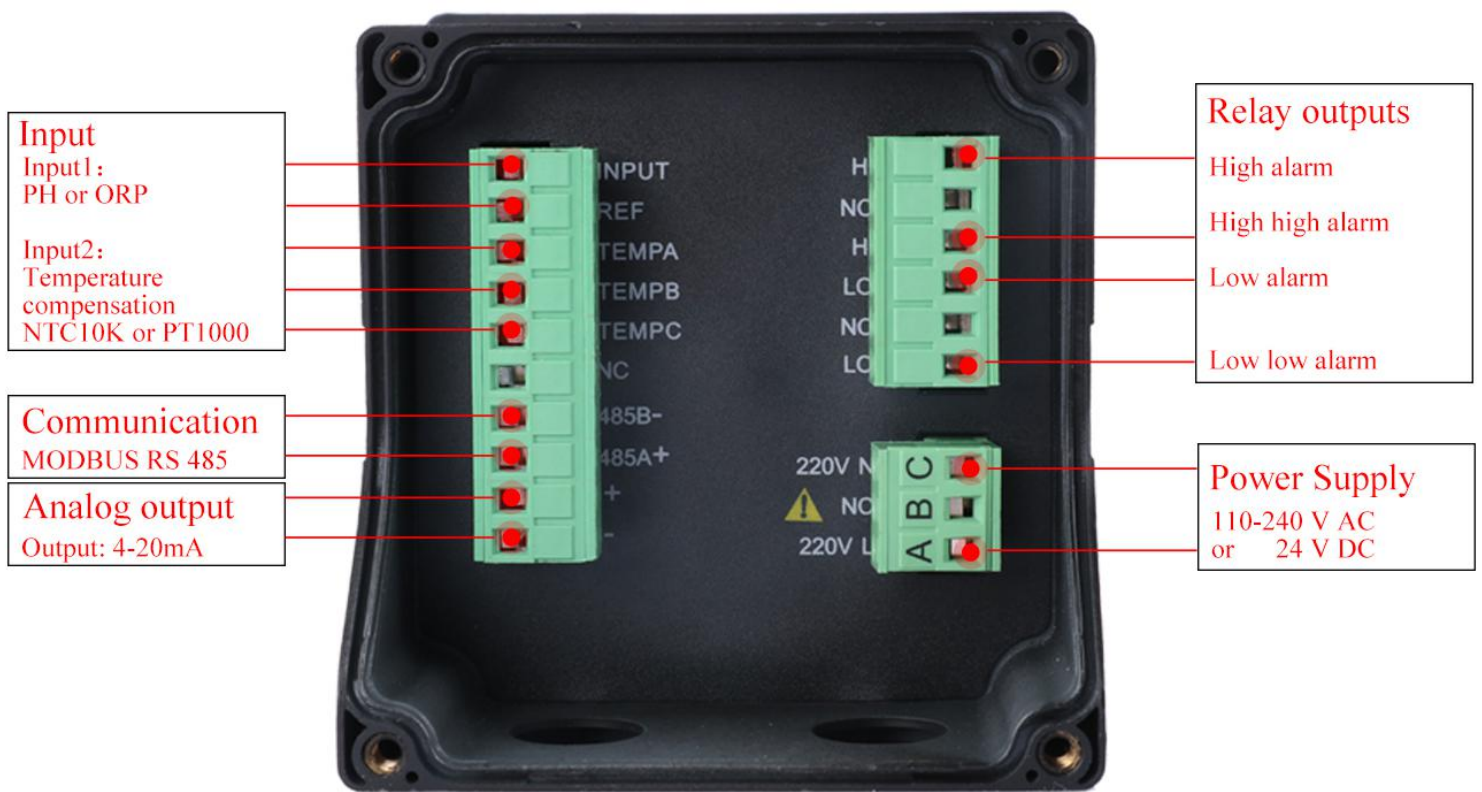


SPE-EC100

## Features

- Easy operation
- NEMA enclosure for field mounting and panel mounting
- Automatically Temperature Compensation
- Directly switchable to PH or ORP
- Large LC D display with background lighting
- PH or ORP sensors can be connected thanks to the sensor supply integrated in the output
- Using the setup program: user-friendly programming
- 4-20mA analog output
- RS485 communication

**Function diagram**



The device is designed for use on site. A rugged housing protects the electronics and the electrical connections from corrosive environmental conditions . As an alternative, the device can also be installed in a control panel.



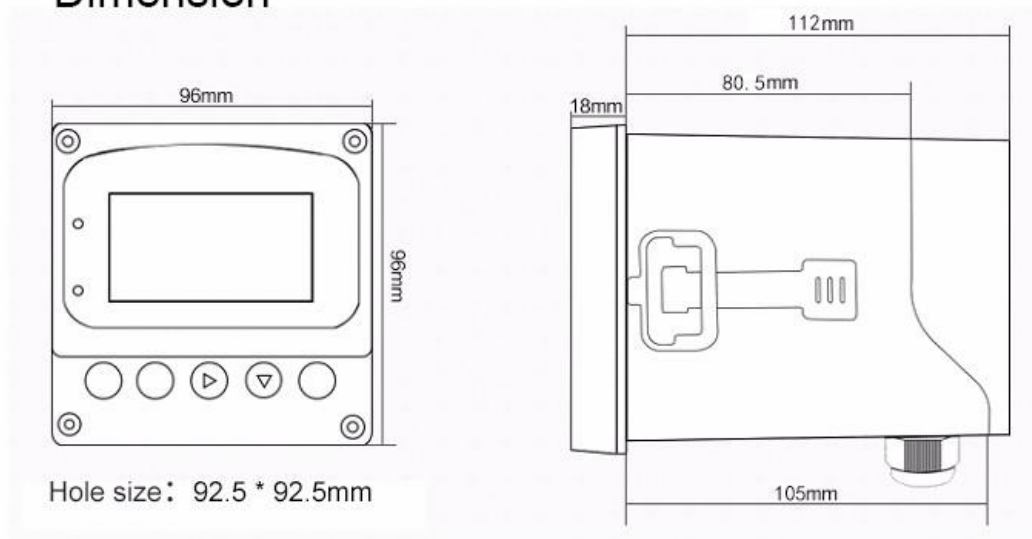
- 1, Temperature
- 2,
- 3, High alarm
- 4, Low alarm
- 5, Measured value
- 6, Menu
- 7, Exist
- 8, Choose
- 9, Enter

**General Specifications of SPE-EC200**

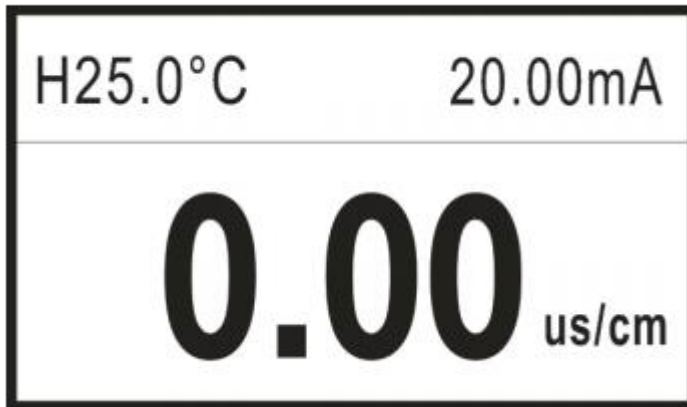
Measuring Range	0.01 electrode: 0.02 to 20.00 us/cm
	0.1 electrode: 0.2 to 200.00 us/cm
	1.0 electrode: 2 to 2000 us/cm
	10.0 electrode: 20 to 20000 us/cm
Accuracy	±1% FS
Stability	±1% FS /24H
Temperature	Compensation Range: -10~130°C
Compensation	PT1000, Accuracy: ±0.5°C
Display	2.4 inch LCD display
Relay out	2 relay out, capacity: 250V AC,3A
Signal output	4-20mA Output, RS485 communication, compatible with standard MODBUS-RTU
Power supply	AC220V ±10%,50Hz
Dimension	96*96*96.5 mm (H*W*D)
Hole Size	92.5*92.5 mm



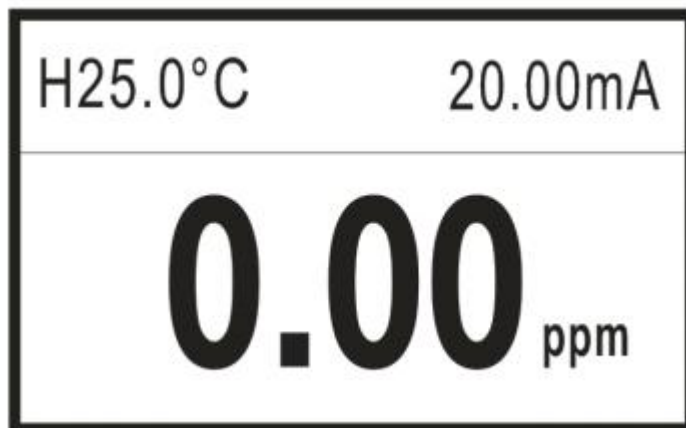
**Dimension**



**EC monitor:**



**TDS monitor:**



**How to select the probe**

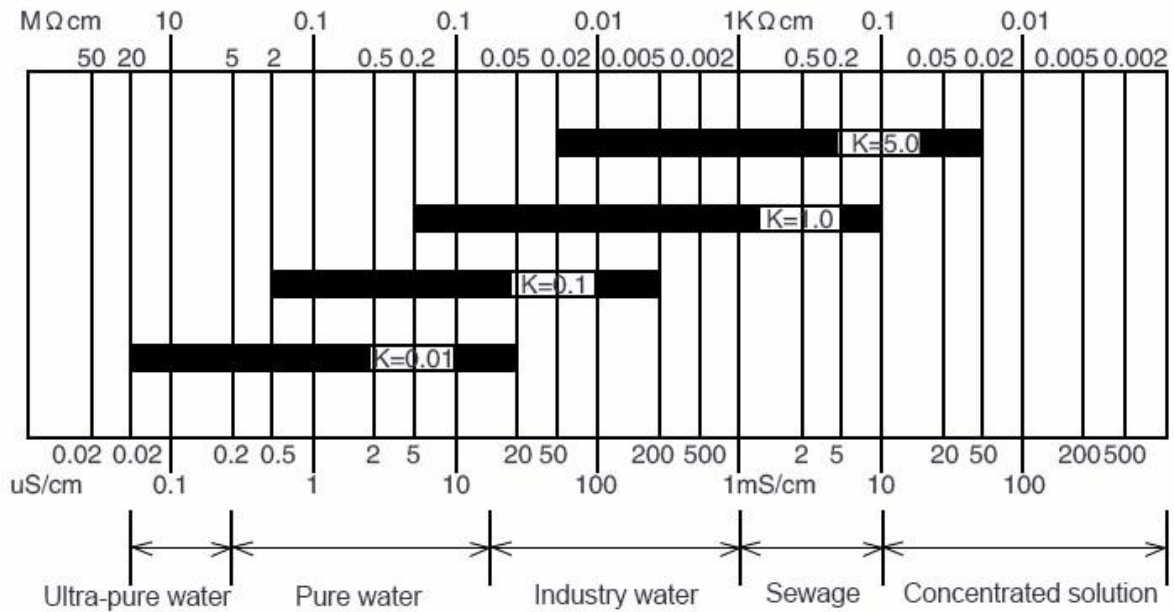
Good controller with good quality



**Electrode Dimension**

Constant	Material	Length	Diameter	Hole size	Thread
K=1.0	Plastic	57.5mm	12.7mm	6mm	NPT1/2
K=0.01	Stainless steel	77mm	13mm	6mm	NPT1/2
K=0.1	Stainless steel	59mm	13mm	6mm	NPT1/2
K=1.0	Stainless steel	59mm	13.5mm	6mm	NPT1/2
K=10.0	Polysulfone	60.5mm	23.3mm	6mm	NPT3/4

Electrode Choose



Normal range		Large range:	
0.01 electrode:	0.02~20.00us/cm	0.01electrode:	0.02~100.00us/cm
0.1 electrode:	0.2~200.0us/cm	0.1 electrode:	0.2~1000.0us/cm
1.0 electrode:	2~2000us/cm	1.0 electrode:	2~10000us/cm
10.0 electrode:	20us/cm~20.00ms/cm	10.0 electrode:	20us/cm~100.00ms/cm