

Supmea Automation Co.,Ltd
Address: No.600,No.21 Street Economic &
Technological Development Area,China
Phone: 0086-15158063876
Fax: 0086-0571-87385068
Email: info@supmea.com
Internet: www.supmea.com

SUPMEA AUTOMATION PTE. LTD.
Address:2 VENTURE DRIVE #11-30 VISION
EXCHANGE SINGAPORE
Email: sales@supmea.com
Internet:www.supmea.com

Supmea

Pressure Transmitter Datasheet

Supmea Pressure Transmitter Datasheet

SPE-P100 Pressure transmitter

Product description

SPE-P100 Series pressure transmitter is kind of device based on pressure layer, which inside expert integrate circuit can transform sensor milli-volt signal to standard far distance transmission current signal, and it can be directly joined with computer joint clip, control instrument ,aptitude instrument or PLC etc. conveniently. The series' product is applied extensively in the professions, such as the industry process control, petroleum, chemical engineering and metallurgy etc. Carry the distance delivers and can adopt electric current exportation method.



Product advantage

- The physical volume small, the weight is ligh;
- Work in the causticity environment;
- That product installs the convenience simple and direct;
- The whole stainless steel seals completely the structure,have the very high anti- to flap to pound at the function with anti.

Supmea Automation Co.,Ltd
Address: No.600,No.21 Street Economic &
Technological Development Area,China
Phone: 0086-15158063876
Fax: 0086-0571-87385068
Email: info@supmea.com
Internet: www.supmea.com

SUPMEA AUTOMATION PTE. LTD.
Address:2 VENTURE DRIVE #11-30 VISION
EXCHANGE SINGAPORE
Email: sales@supmea.com
Internet:www.supmea.com

Supmea

Pressure Transmitter Datasheet

SPE-P100 pressure transmitter for general industrial applications is not only notable for its compact design, but it also offers excellent at an extremely competitive price.The modular design of the device allows combining a variety of process connections, pressure ranges and electrical connection variants, covering virtually all industrial application requirements.

Highlights

- (1)DIN connector type
- (2)M12 connector type
- (3)Cable connector type

Fully welded pressure measuring cell with
AISI 316L stainless steel diaphragm
Accuracy, terminal based:0.5%
temperature at zero point:±0.03%FS/°C
Measuring range:-1...0-2...1000bar
Ingress protection up to IP65



Applications

Oil industry paper industry chemical industry and so on.

Options and variants



P100G: Pressure transmitter
Fins with cooling



PX100: Pressure transmitter
with digital display



P150: Hygienic Pressure
transmitter with flat film



P2088: Pressure transmitter
with Shell protection

Supmea Automation Co.,Ltd
 Address: No.600,No.21 Street Economic &
 Technological Development Area,China
 Phone: 0086-15158063876
 Fax: 0086-0571-87385068
 Email: info@supmea.com
 Internet: www.supmea.com

SUPMEA AUTOMATION PTE. LTD.
 Address:2 VENTURE DRIVE #11-30 VISION
 EXCHANGE SINGAPORE
 Email: sales@supmea.com
 Internet:www.supmea.com



Pressure Transmitter Datasheet

TECHNICAL DATA

The following data is provided for general applications. If you require data that is more relevant to your specific application, please contact us.

MEASURE SYSTEM:	
Application Range	Measurement of gauge and absolute pressure in gases and liquids
Measuring Range	-1...0-2...1000bar

TECHNICAL PERFORMANCE	
Pressure Type	Gauge pressure absolute pressure sealing pressure
Power Supply	12VDC 24VDC 12-36VDC
Signal Output	4-20mA 0-20mA 0-5V 1-5V 0-10V RS485
Zero Drift	±0.03%FS°C
Accuracy	±0.5%FS°C,0.3%FS optional
Thermal Sensitivity Drift	±0.03%FS°C
Long Term Stability	≤0.2%FS°C one year
Frequency Response(-3dB)	5kHz~650kHz
Ingress Protection	IP65
Pressure Connection	G1/4, G1/2,1/2NPT,1/4NPT, M20*1.5etc.(optional)
Measure Medium	Gas, water, oil etc. (non-explosion-proof area)
Electrical Connections	DIN connector type, M12 connector, cable connector type
Time Response	<10ms
Weight	Min, 400g (depending on model)

Supmea Automation Co.,Ltd
 Address: No.600,No.21 Street Economic &
 Technological Development Area,China
 Phone: 0086-15158063876
 Fax: 0086-0571-87385068
 Email: info@supmea.com
 Internet: www.supmea.com

SUPMEA AUTOMATION PTE. LTD.
 Address:2 VENTURE DRIVE #11-30 VISION
 EXCHANGE SINGAPORE
 Email: sales@supmea.com
 Internet:www.supmea.com



Pressure Transmitter Datasheet

MATERIALS:

Housing	304/316L stainless steel
Fill Fluid	Silicon oil

WETTED PARTS:

Pressure Port	Stainless steel 304 / AISI 316L
Separating Diaphragm	Stainless steel 304/ AISI 316L
Sealing	FKM(medium temperature \leq +200°C/392°F);EPDM; NBR

VOLTAGE SUPPLY:

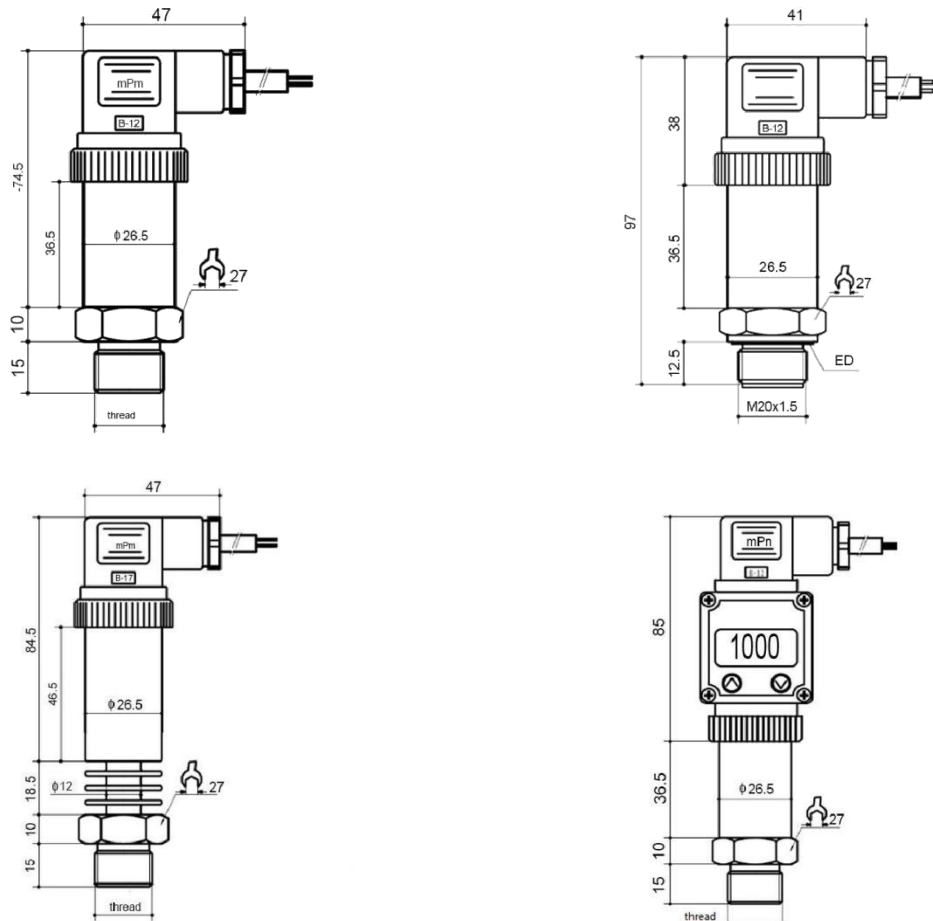
Output Signal	Power Supply Standard	Option
4-20 mA	12VDC	12-36VDC
0-20 mA	24VDC	12-36VDC
DC 0-5V	24VDC	12-36VDC
DC 1-5V	24VDC	12-36VDC
DC 0-10V	24VDC	12-36VDC

OUTPUT SIGNAL:

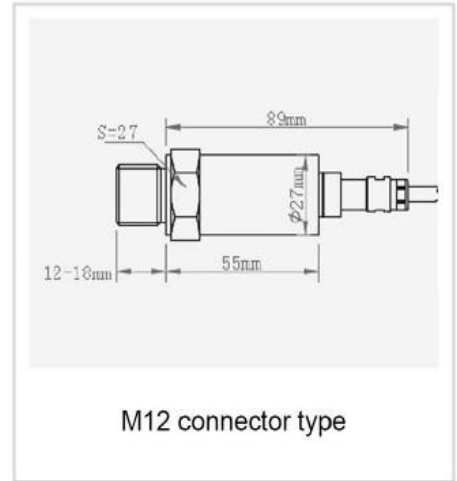
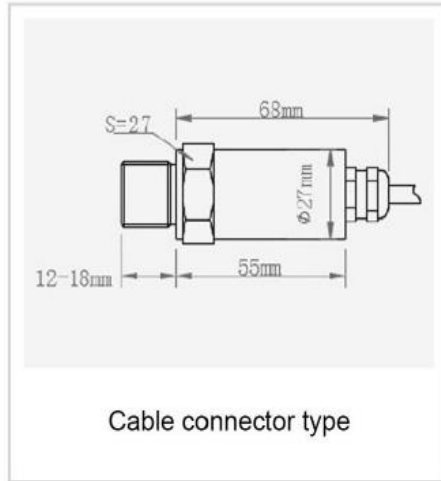
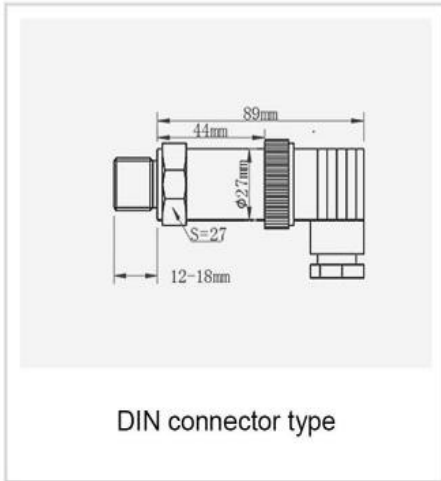
Signal Type	Signal
Current(2-wire)	4-20mA
Voltage(3-wire)	0-5V 1-5V 0-10V

OPERATING CONDITIONS:	
Temperature	-20...+80°C/-4...+176°F
Nominal Temperature	-40...+85°C/-40...+185°F
Ambient Temperature	-40...+100°C/-40...+212°F
Storage Temperature	PN≤40 bar /580 psi: -40...+125°C/-40...+257°F
Medium Temperature	PN≥60 bar /870 psi: -25...+125°C/-13...+257°F
	With cooling fins (optional) :
	PN≤40 bar /580 psi: -40...+125°C/-40...+257°F
	PN≤40 bar /580 psi: -40...+125°C/-40...+257°F

SIZE CHART:



CONNECTOR TYPE:

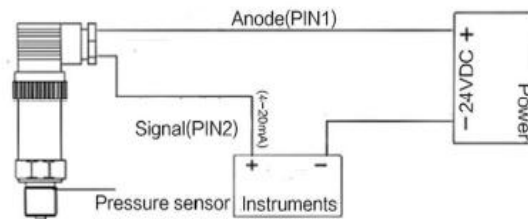


PROCESS CONNECTION:

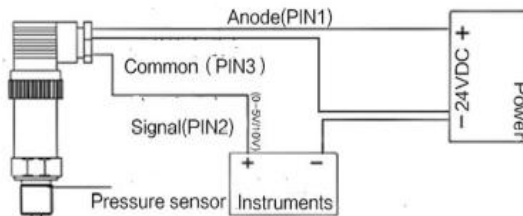
Thread	M20×1.5	G1/2	M14×1.5	G1/4
Size chart unit: mm				
No.	C1	C2	C3	C4

Thread	G1/4内	NPT1/2	NPT1/4	PT1/4
Size chart unit: mm				
No.	C5	C6	C7	C8

TERMINAL ASSIGNMENT:



Two-wire wiring diagram



Three-wire wiring diagram

Series	
A SPE-P100	
B SPE-P100G	
C SPE-PX100	
DSPE-P150	
Measure Range	
1	-1000 kpa/0/-10bar/0/-145psi-0
2	0-10kpa /0-0.10bar/0/-1psi
3	0-50kpa/0-0.5bar/0-7psi
4	0-200kpa/0-2bar/0-29psi
5	0-1000kpa/0-10bar/0-145psi
6	-0.1-0.1Mpa/-1-1bar/-14-14psi
7	0-0.6Mpa/0-6bar/0-87psi
8	0-1Mpa/0-10bar/0-145psi
9	0-1.6Mpa/0-16bar/0-232psi
A	0-2.5Mpa/0-25bar/0-362psi
B	0-6Mpa/0-60bar/0-870psi
C	0-10Mpa/0-100bar/0-1450psi
D	0-20Mpa/0-200bar/0-2900psi
E	0-30Mpa/0-300bar/0-4351psi

Supmea Automation Co.,Ltd

Address: No.600,No.21 Street Economic &
 Technological Development Area,China
 Phone: 0086-15158063876
 Fax: 0086-0571-87385068
 Email: info@supmea.com
 Internet: www.supmea.com

SUPMEA AUTOMATION PTE. LTD.

Address:2 VENTURE DRIVE #11-30 VISION
 EXCHANGE SINGAPORE
 Email: sales@supmea.com
 Internet:www.supmea.com

Supmea**Pressure Transmitter Datasheet**

	F	0-40Mpa/0-400bar/0-5801psi
	G	0-60Mpa/0-600bar/0-8702psi
	H	0-100Mpa/0-1000bar/0-14503psi
		Power Supply
	A1	12-36VDC
	A2	12VDC
	A3	24VDC
		Signal Output
	B1	4~20MA
	B2	0~10V
	B3	1~5V
	B4	0~5V
	B5	0-20mA
		Process Connections
	C1	20×1.5
	C2	G1/2
	C3	M14×1.5
	C4	G1/4
	C5	NPT1/4, etc., as required
		Electrical Connectors
	D1	DIN connector type
	D2	Cable connector type
	D3	M12 connector type
		Optional Functions
	E	Tantalum diaphragm
	F	Seismic requirements
	G	Compressive requirements

Supmea Automation Co.,Ltd
Address: No.600,No.21 Street Economic &
Technological Development Area,China
Phone: 0086-15158063876
Fax: 0086-0571-87385068
Email: info@supmea.com
Internet: www.supmea.com

SUPMEA AUTOMATION PTE. LTD.
Address:2 VENTURE DRIVE #11-30 VISION
EXCHANGE SINGAPORE
Email: sales@supmea.com
Internet:www.supmea.com

Supmea

Pressure Transmitter Datasheet

Supmea®

Pressure Transducer

● Pressure Transmitter

● Pressure Gauge

● Differential Pressure Transmitter



Supmea Group | Meacon Automation | Sinomeasure Instrument | Asmik Sensor
Supmea Automation Co.,LTD
Add: 3rd floor, No. 6 Street, Hangzhou, Zhejiang, China
Website:www.supmea.com